



# PAR56 and PAR 64 – picking out the smallest of details

## PAR56 and PAR64

These self-contained spotlights are ideal for intensifying the visual experience in all kinds of clubs, that is because their accurate beam control picks out even the smallest of details even over long distances. This beam control makes the PAR 56 and PAR 64 excellent for long-range light projections. In addition, the universal burning feature provides complete flexibility of luminaires angle and position, while the front glass of the PAR56 provides thermal and physical protection. The result? Complete creative freedom to achieve the desired effect. Immediate re-strike also ensures instant resumption of entertainment after any power interruption.

### Benefits

- Allows details to be picked out over long distances with good beam control
- Excellent for long-range light projections
- Provides thermal and physical protection
- Allows fullest flexibility of luminaire angle and position to obtain the desired effect
- Immediate re-strike after any power interruption

### Features

- Self-contained spotlight
- Front glass
- Universal burning
- Hot restrike

### Application

- Ideal for a wide range of performance and event lighting applications, for example in clubs, studios and theaters

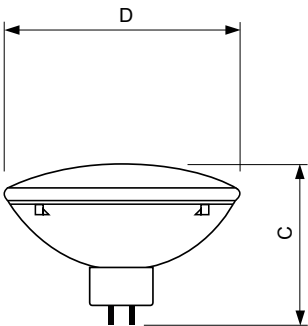
# PAR56 and PAR64

## Versions



PAR56

## Dimensional drawing



Product	D (max)	C (max)
PAR56 300W 230V MFL	178 mm	127 mm
PAR64 1000W 230V NSP	204 mm	150 mm
PAR64 1000W 230V MFL	204 mm	150 mm
PAR64 1000W 230V VNSP	204 mm	150 mm

Controls and Dimming	
Dimmable	Yes
Operating and Electrical	
Voltage (Nom)	230 V
General Information	
Cap-Base	GX16D
Main Application	Flood and Ambient Lighting
Operating Position	UNIVERSAL

## Operating and Electrical

Order Code	Full Product Name	Power (Nom)
924783244204	PAR64 1000W 230V VNSP	1000 W
924783344204	PAR64 1000W 230V NSP	1000 W

Order Code	Full Product Name	Power (Nom)
924783444204	PAR64 1000W 230V MFL	1000 W
924783644204	PAR56 300W 230V MFL	300 W

## General Information

## PAR56 and PAR64

Order Code	Full Product Name	Ansi Code	LIF Code	Nominal	
				Lifetime (Nom)	Life To 50% Failures (Min)
924783244204	PAR64 1000W 230V VNSP	EXC	CP60	300 h	300 h
924783344204	PAR64 1000W 230V NSP	EXD	CP61	300 h	300 h

Order Code	Full Product Name	Ansi Code	LIF Code	Nominal	
				Lifetime (Nom)	Life To 50% Failures (Min)
924783444204	PAR64 1000W 230V MFL	EXE	CP62	300 h	300 h
924783644204	PAR56 300W 230V MFL	-	-	2000 h	2000 h

### Light Technical

Order Code	Full Product Name	Beam		Correlated	
		Angle (Nom)	Beam Description	Colour Temperature (Nom)	Luminous Intensity (Max)
924783244204	PAR64 1000W 230V VNSP	11°	Very Narrow Spot	3200 K	400000 cd
924783344204	PAR64 1000W 230V NSP	12°	Narrow Spot	3200 K	290000 cd

Order Code	Full Product Name	Beam		Correlated	
		Angle (Nom)	Beam Description	Colour Temperature (Nom)	Luminous Intensity (Max)
924783444204	PAR64 1000W 230V MFL	23°	Medium Flood	3200 K	130000 cd
924783644204	PAR56 300W 230V MFL	20°	Medium Flood	3000 K	30000 cd

### Mechanical and Housing

Order Code	Full Product Name	Bulb Shape
924783244204	PAR64 1000W 230V VNSP	PAR64
924783344204	PAR64 1000W 230V NSP	PAR64

Order Code	Full Product Name	Bulb Shape
924783444204	PAR64 1000W 230V MFL	PAR64
924783644204	PAR56 300W 230V MFL	-

