



# ArenaVision MVF403

## MVF403 MHN-SA2000W/956 A7 HRE

ARENAVISION - MASTER MHN-SA - 2000 W

ArenaVision MVF403 takes sports floodlighting to the highest level, offering very high light output, optical efficiency, ease of installation, reliability and flexibility. It is ideal for indoor sports halls (1000 W version) as well as many outdoor sports and other lighting applications. The integrated system of oval optics and compact double-ended MHN-LA 1000W or MHN-SA HO 2000W lamps ensures outstanding system efficiency and low glare. A built-in reflector skirt reduces spill light and glare even further. The MHN-SA HO 2000W/956 and MHN-LA 1000W/956 lamps meet the highest international CTV requirements. With the MHN-LA 1000W/842 lamp, the natural colour rendering and comfortable atmosphere are well suited to TV and filming as well as other floodlighting applications. Hot re-strike versions are available for all lamp types, enabling immediate restoration of lighting after power supply failure. The (optional) flicker-free version of ArenaVision MVF403 MHN-LA 1000W is designed to ensure that the flicker effect is fully eliminated in order to guarantee perfect images filmed with super-slow-motion cameras at sports events. The flicker-free version of ArenaVision MVF403 comes equipped with a special electronic igniter, which works in combination with Philips' electronic ballast GearUnits (ECM330), to be ordered separately.

### Product data

General information		Optical cover/lens type	
Number of light sources	1 [ 1 pc]	Optical cover/lens type	DOWN [ Front-glass downlighting version]
Lamp family code	MHN-SA [ MASTER MHN-SA]	Luminaire light beam spread	-
Lamp power	2000 W	Connection	SCREW [ Screw connector]
Lamp colour code	956 daylight	Cable	-
Kombipack	Lamp(s) included	Protection class IEC	Safety class I (I)
Number of gear units	-	Flammability mark	NO [-]
Gear	-	CE mark	Yes
		ENEC mark	ENEC mark

# ArenaVision MVF403

Warranty period	1 years
Optic type outdoor	Beam category A7 (A7)
Aiming memory	-
Constant light output	No
EU RoHS compliant	Yes
Product family code	MVF403 [ ARENAVISION]

## Light technical

Standard tilt angle post-top	-
Standard tilt angle side entry	-

## Operating and electrical

Lamp supply voltage	400 V [ 400]
Input Voltage	380 to 415 V
Input frequency	50 to 60 Hz
Ignitor	HRE [ Hot-restrike electronic]

## Controls and dimming

Dimmable	No
----------	----

## Mechanical and housing

Housing material	Aluminium
Reflector material	Aluminium
Optic material	Aluminium
Optical cover/lens material	-
Fixation material	Steel
Mounting device	MBA [ Mounting bracket adjustable]
Optical cover/lens shape	-
Optical cover/lens finish	-
Overall height	535 mm

Effective projected area	0.19 m <sup>2</sup>
Colour	Aluminium
Dimensions (height x width x depth)	535 x NaN x NaN mm

## Approval and application

Ingress protection code	IP65 [ Dust penetration-protected, jet-proof]
Mech. impact protection code	IK08 [ 5 J vandal-protected]
Surge protection (common/differential)	-
Sustainability rating	-

## Initial performance (IEC compliant)

Lamp colour temperature	5600 K
Colour Rendering Index	>90

## Application conditions

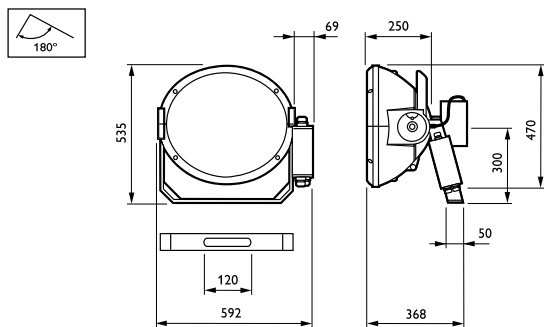
Ambient temperature range	-30 to +35 °C
Maximum dimming level	Not applicable

## Product data

Full product code	871829106911900
Order product name	MVF403 MHN-SA2000W/956 A7 HRE
EAN/UPC – product	8718291069119
Order code	910925748112
SAP numerator – quantity per pack	1
Numerator – packs per outer box	1
SAP material	910925748112
Net Weight (Piece)	18.650 kg



## Dimensional drawing



MVF403 MHN-SA2000W/956 A7 HRE

## ArenaVision MVF403

