



ArenaVision MVF403

MVF403 MHN-SA2000W/956 A3 SI

ARENAVISION - MASTER MHN-SA - 2000 W

ArenaVision MVF403 takes sports floodlighting to the highest level, offering very high light output, optical efficiency, ease of installation, reliability and flexibility. It is ideal for indoor sports halls (1000 W version) as well as many outdoor sports and other lighting applications. The integrated system of oval optics and compact double-ended MHN-LA 1000W or MHN-SA HO 2000W lamps ensures outstanding system efficiency and low glare. A built-in reflector skirt reduces spill light and glare even further. The MHN-SA HO 2000W/956 and MHN-LA 1000W/956 lamps meet the highest international CTV requirements. With the MHN-LA 1000W/842 lamp, the natural colour rendering and comfortable atmosphere are well suited to TV and filming as well as other floodlighting applications. Hot re-strike versions are available for all lamp types, enabling immediate restoration of lighting after power supply failure. The (optional) flicker-free version of ArenaVision MVF403 MHN-LA 1000W is designed to ensure that the flicker effect is fully eliminated in order to guarantee perfect images filmed with super-slow-motion cameras at sports events. The flicker-free version of ArenaVision MVF403 comes equipped with a special electronic igniter, which works in combination with Philips' electronic ballast GearUnits (ECM330), to be ordered separately.

Product data

| General Information | | Protection class IEC | |
|-------------------------|--|----------------------|-----------------------|
| Number of light sources | 1 [1 pc] | Protection class IEC | Safety class I (I) |
| Lamp family code | MHN-SA [MASTER MHN-SA] | CE mark | CE mark |
| Lamp power | 2000 W | ENEC mark | ENEC mark |
| Lamp colour code | 956 daylight | Optic type outdoor | Beam category A3 |
| Kombipack | Lamp(s) included | Aiming memory | - |
| Gear | - | Product family code | MVF403 [ARENAVISION] |
| Optical cover/lens type | DOWN [Front-glass downlighting version] | | |

ArenaVision MVF403

Operating and Electrical

| | |
|---------------------|--------------|
| Lamp supply voltage | 400 V [400] |
| Input Voltage | 380 to 415 V |
| Ignitor | SI [Series] |

Mechanical and Housing

| | |
|-------------------------------------|---|
| Dimensions (height x width x depth) | NaN x NaN x NaN mm (NaN x NaN x NaN in) |
|-------------------------------------|---|

Approval and Application

| | |
|------------------------------|---|
| Ingress protection code | IP65 [Dust penetration-protected, jet-proof] |
| Mech. impact protection code | IK08 [5 J vandal-protected] |

Initial Performance (IEC Compliant)

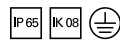
| | |
|-------------------------|--------|
| Lamp colour temperature | 5600 K |
|-------------------------|--------|

Application Conditions

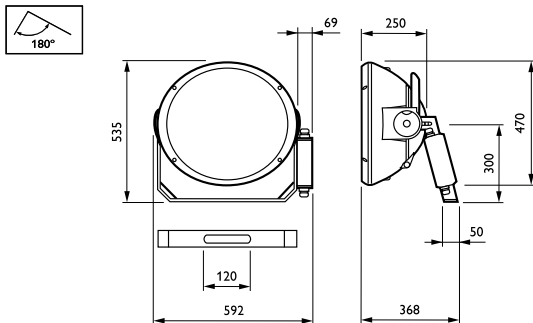
| | |
|---------------------------|---------------|
| Ambient temperature range | -30 to +35 °C |
|---------------------------|---------------|

Product Data

| | |
|-----------------------------------|------------------------------|
| Full product code | 871829106915700 |
| Order product name | MVF403 MHN-SA2000W/956 A3 SI |
| EAN/UPC – product | 8718291069157 |
| Order code | 910925748512 |
| SAP numerator – quantity per pack | 1 |
| Numerator – packs per outer box | 1 |
| SAP material | 910925748512 |
| SAP net weight (piece) | 14.500 kg |



Dimensional drawing



ArenaVision MVF403/MVF404

