



GreenUp Lowbay G2

BY269Z RL

Accessory

Good lighting is essential in industrial workspaces and large indoor areas. The wrong choice of lights or a lighting not correctly planned can lead to eye strain, fatigue, and poor performance, compromising safety and productivity. The Philips GreenUp Lowbay G2 luminaire is a simple LED solution which efficiently illuminates work areas, creating a brighter and better work, retail or sporting environment. With its crisp, white light and high colour rendering index coupled with energy efficiency, high visibility and enhances safety 24/7. Equipped with motion detection function, this easy-to-install and low-maintenance lighting solution is suitable for a variety of applications.

Product data

General Information	
CE mark	-
Material	Aluminum
Colour	Grey

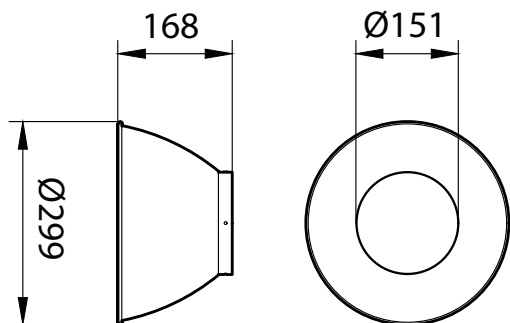
Mechanical and Housing	
Overall height	299 mm
Overall diameter	168 mm
Dimensions (height x width x depth)	299 x NaN x NaN mm (11.8 x NaN x NaN in)

Approval and Application	
Ingress protection code	- [-]

Product Data	
Full product code	911401542111
Order product name	BY269Z RL
Order code	911401542111
SAP numerator – quantity per pack	1
Numerator – packs per outer box	6
SAP material	911401542111
SAP net weight (piece)	0.200 kg

GreenUp Lowbay G2

Dimensional drawing



BY269Z RL

