



# SmartBright LED Security Light

**BWS220 LED20/CW PSU 100-240V**

2200 lm - 30 W - 6500 K

The SmartBright LED Security light is a PIR motion sensor activated twin head security light. With a wide detection range, brighter light output and instant-on LED technology, you can be assured your property is well lit for visibility at night.

## Product data

General Information	
Lamp colour code	865 cool daylight
Light source replaceable	No
Number of gear units	1 unit
Driver included	Yes
Optical cover/lens type	No [-]
Luminaire light beam spread	120°
Control interface	-
Connection	PI6 [ Push-in connector 6-pole]
Cable	-
Protection class IEC	Safety class I (I)
Flammability mark	F [ For mounting on normally flammable surfaces]
CE mark	CE mark
Constant light output	No
Number of products on MCB (16 A type B)	20
Light source engine type	LED

Operating and Electrical	
Input Voltage	100 to 240 V
Input frequency	50 or 60 Hz
Inrush current	5.25 A
Inrush time	0.0405 ms
Power factor (min.)	0.9

Controls and Dimming	
Dimmable	No

Mechanical and Housing	
Housing material	Metal-Plastic
Optical cover/lens material	Polycarbonate
Mounting device	Baseplate
Optical cover/lens shape	Curved
Optical cover/lens finish	Frosted
Overall length	242 mm
Overall width	171 mm
Overall height	168 mm

## SmartBright LED Security Light

Colour	black
<b>Approval and Application</b>	
Ingress protection code	IP54 [ Dust accumulation-protected, splash-proof]
Mech. impact protection code	IK05 [ 0.7 J]
<b>Initial Performance (IEC Compliant)</b>	
Initial luminous flux (system flux)	2200 lm
Luminous flux tolerance	+/-10%
Initial LED luminaire efficacy	73 lm/W
Lamp colour temperature	6500 K
Colour Rendering Index	>80
Initial chromaticity	SDCM<7
Initial input power	30 W
Power consumption tolerance	+/-10%

### Application Conditions

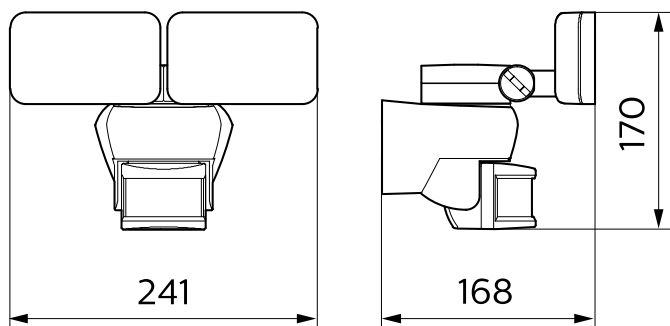
Ambient temperature range	-20 to +40 °C
Maximum dimming level	Not applicable

### Product Data

Full product code	911401712692
Order product name	BWS220 LED20/CW PSU 100-240V
Order code	911401712692
SAP numerator – quantity per pack	1
Numerator – packs per outer box	8
SAP material	911401712692
SAP net weight (piece)	0.680 kg



### Dimensional drawing



BWS220 SmartBright LED

