



# Dynalite Leading Edge Dimmers

## DLE1205

12 channel Leading Edge Dimmer Controller with a maximum load per channel of 5 A.

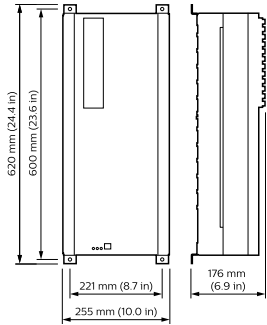
The Philips Dynalite DLE1205 is a 12 channel leading edge dimmer controller with a maximum load per channel of 5 A. - It is suitable for use with incandescent and neon light sources, as well as iron core and leading edge electronic transformers. - Fully rated device  
Interference suppression  
Naturally ventilated  
Soft start and voltage regulation technologies  
Diagnostic functionality  
User controls  
Options available

### Product data

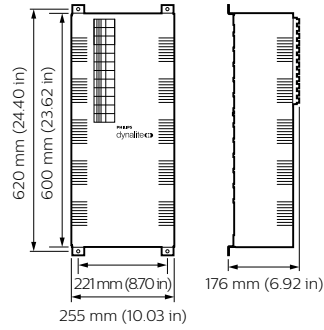
General Information		Order product name	DLE1205
CE mark	CE mark	EAN/UPC – product	8710163505428
Remarks	Please download the Lighting - Product Data Sheet for more information and ordering options	Order code	913703010009
EU RoHS compliant	Yes	SAP numerator – quantity per pack	1
		Numerator – packs per outer box	1
		SAP material	913703010009
		SAP net weight (piece)	13.200 kg
Application Conditions			
Ambient temperature range	0 to +40 °C		
Product Data			
Full product code	871016350542800		

# Dynalite Leading Edge Dimmers

## Dimensional drawing



Dynalite Leading Edge Dimmers



Dynalite Leading Edge Dimmers

