



MASTERCcolour CDM-Tm Mini PGJ5

MASTERCcolour CDM-Tm Mini 20W/830 PGJ5 1CT/12

Miniature, single-ended ceramic metal halide lamp. PGJ5 twist-lock lamp base

Warnings and Safety

- Use only in totally enclosed luminaire, even during testing (IEC61167, IEC 62035, IEC60598)
- The luminaire must be able to contain hot lamp parts if the lamp ruptures
- Use only with electronic control gear
- Control gear must include end-of-life protection (IEC61167, IEC 62035)
- For 20W PGJ5 lamp, use only Philips electronic control gear HID PV mini PGJ5 20W
- For 35W PGJ5 lamp, use only Philips electronic control gear HID PV mini PGJ5 35W
- A lamp breaking is extremely unlikely to have any impact on your health. If a lamp breaks, ventilate the room for 30 minutes and remove the parts, preferably with gloves. Put them in a sealed plastic bag and take it to your local waste facilities for recycling. Do not use a vacuum cleaner.

Product data

General information	
Cap base	PGJ5 [PGJ5]
Burning Position	UNIVERSAL [Any/Universal]
Life to 5% failures (nom.)	9000 h
Life to 10% failures (nom.)	10000 h
Life to 20% failures (nom.)	11000 h
Life to 50% failures (nom.)	12000 h
	Sphere
Light technical	
Colour Code	830 [CCT of 3,000 K]

Lamp Luminous Flux 25°C EL (Nom)	1600 lm
Lamp Luminous Flux (Nom)	1600 lm
Colour Designation	Warm white (WW)
Lumen maintenance 1,000 hours (nom.)	80 %
Lumen maintenance 10,000 hours (nom.)	60 %
Lumen maintenance 2,000 hours (nom.)	75 %
Lumen maintenance 5,000 hours (nom.)	65 %
Chromaticity coordinate X (nom.)	0.434
Chromaticity coordinate Y (nom.)	0.398
Colour Temperature, horizontal (Nom)	3000 K
Lamp Luminous Efficacy EM (Nom)	72 lm/W

MASTERColour CDM-Tm Mini PGJ5

Colour Rendering Index,horiz (Min)	84
Colour Rendering Index,horiz (Nom)	87

Operating and electrical

Power (Rated) (Nom)	22.1 W
Lamp current run-up (max.)	.5 A
Re-ignition time (min.) (max.)	15 min
Ignition time (max.)	30 s
Voltage (Max)	108 V
Voltage (Min)	95 V
Voltage (Nom)	100 V

Controls and dimming

Dimmable	No
Run-up time 90% (max.)	3 min

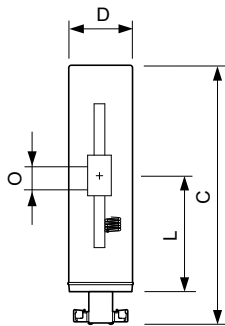
Mechanical and housing

Lamp Finish	Clear
Bulb shape	T13.3

Approval and application

Energy Efficiency Class	G
Mercury (Hg) content (max.)	2.4 mg
Mercury (Hg) content (nom.)	2.4 mg
Energy consumption kWh/1,000 hours	23 kWh

Dimensional drawing



MASTERColour CDM-Tm Mini 20W/830 PGJ5 1CT/12

473347

UV

PET (NIOSH) (min.)	8 h/500lx
Damage factor D/fc (max.)	0.5

Luminaire design requirements

Bulb temperature (max.)	380 °C
Cap-base temperature (max.)	250 °C
Cap-Base Temperature (Max)-DUP(do not use)	482 °F

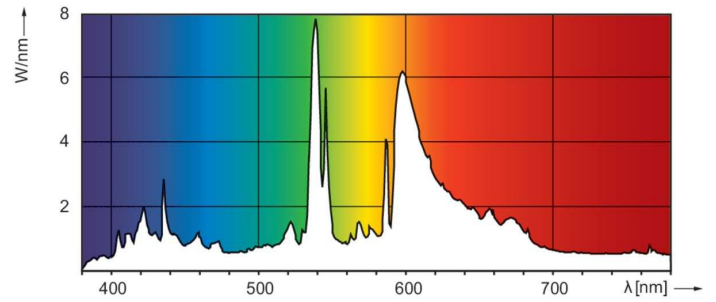
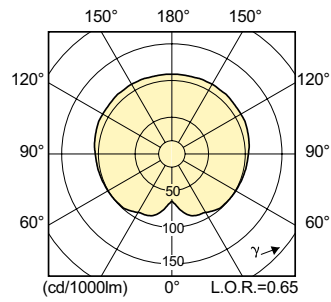
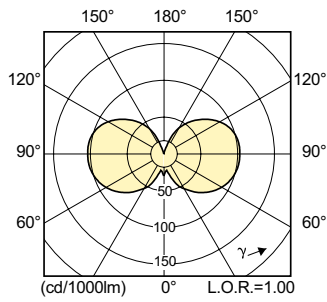
Product data

Full product code	87115002075175
Order product name	MASTERColour CDM-Tm Mini 20W/830 PGJ5 1CT/12
EAN/UPC – product	8711500207517
Order code	928087905130
SAP numerator – quantity per pack	1
Local code description	4824808
Numerator – packs per outer box	12
SAP material	928087905130
Net Weight (Piece)	0.005 kg
ILCOS code	MT/UB-20/830-H/L-PGJ5-13.3/52

Product	D (max)	D	O	L (min)	L (max)	L	C (max)
MASTERColour CDM-Tm Mini 20W/830 PGJ5 1CT/12	13.2 mm	0.44 in	3 mm	22.3 mm	22.9 mm	22.6 mm	52 mm

MASTERCoulour CDM-Tm Mini PGJ5

Photometric data



LDPO_CDM-Tm_830_930_PGJ5-Spectral power distribution Colour

Lifetime

