



MASTER LEDspot PAR

Master LED 12-120W PAR30s 840 25D EER1

With its robust design and warm-white beam of light, these new-generation PAR lamps are ideal for general lighting and spot lighting in the hospitality industry. There is a choice of dimmable and non-dimmable versions. They are especially suitable for public areas such as lobbies, corridors, stairwells, where the light is always on. Compatible with existing fixtures with an E27 holder and designed for retrofit replacement of halogen/incandescent lamps, MASTER LEDspot PAR deliver huge energy savings and minimize maintenance cost without any reduction in brightness. The IP44-rated outdoor version of the PAR 38 lamp is one of the few energy-saving alternatives to incandescent PAR38 outdoor lamps available today. The dimmable PAR 20 is a perfect replacement for an incandescent spot.

Product data

General Information	
Cap base	E26 [Single Contact Medium Screw]
EU RoHS compliant	Yes
Nominal lifetime (nom.)	15000 h
Switching cycle	50,000X
Technical type	12-120W
Light Technical	
Colour Code	840 [CCT of 4,000 K]
Technical Beam Angle (Nom)	25 °
Lamp Luminous Flux 25°C EL (Nom)	1300 lm
Luminous intensity (nom.)	3200 cd
Colour Designation	Cool White (CW)
Colour Temperature, horizontal (Nom)	4000 K
Lamp Luminous Efficacy EM (Nom)	108.00 lm/W
Colour consistency	<6
Colour Rendering Index,horiz (Nom)	80

LLMF at end of nominal lifetime (nom.)	70 %
Operating and Electrical	
Input frequency	50 to 60 Hz
Power (Rated) (Nom)	12 W
Lamp current (nom.)	60 mA
Wattage equivalent	120 W
Starting time (nom.)	0.8 s
Warm-up time to 60% light (nom.)	0.8 s
Power factor (nom.)	0.9
Voltage (Nom)	220 V
Temperature	
T-Case maximum (nom.)	90 °C

MASTER LEDspot PAR

Controls and Dimming

Dimmable No

Mechanical and Housing

Bulb shape PAR30S [PAR 3.75 inch/95mm Short]

Approval and Application

Suitable for accent lighting Yes

Energy consumption kWh/1,000 hours 12 kWh

Product Data

Full product code 871869682706200

Order product name Master LED 12-120W PAR30s 840 25D EER1

EAN/UPC – product 8718696827062

Order code 929001918908

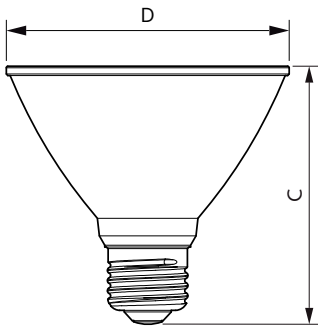
SAP numerator – quantity per pack 1

Numerator – packs per outer box 6

SAP material 929001918908

SAP net weight (piece) 0.134 kg

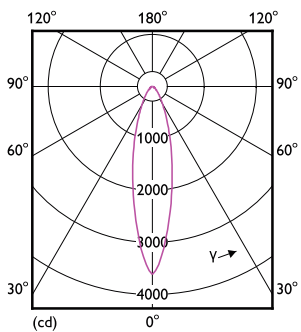
Dimensional drawing



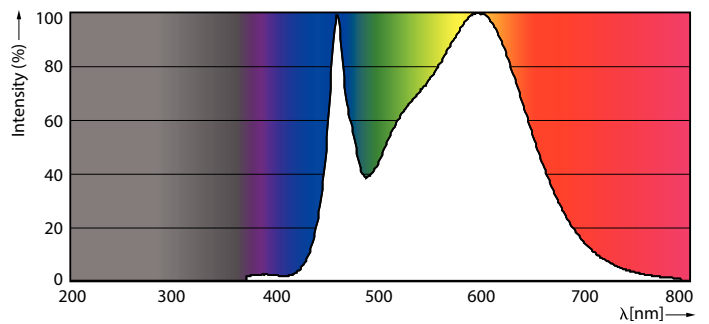
Plastic PAR30s 1100lm 25D 4000K E27 ND

Product	D	C
Master LED 12-120W PAR30s 840 25D EER1	86 mm	93 mm

Photometric data



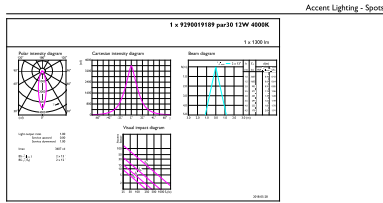
12-120W E26 PAR30S 25D 827 2700K



12-120W E26 PAR30S

MASTER LEDspot PAR

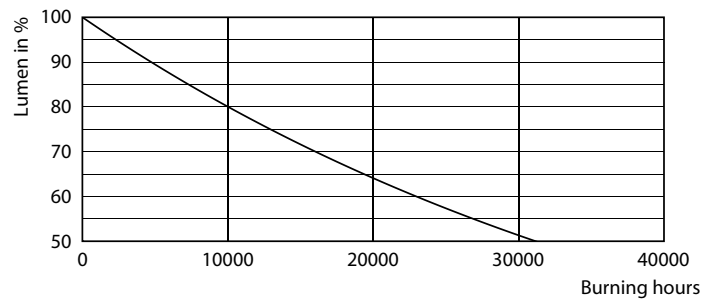
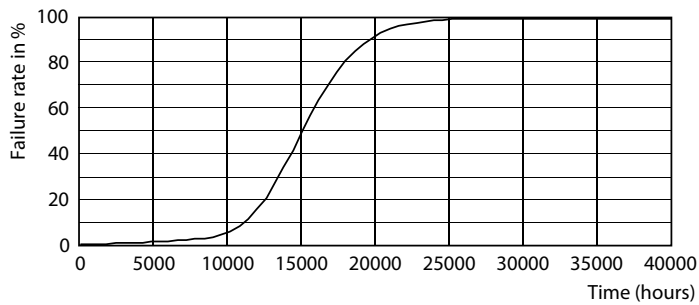
Photometric data



CalcLux Photometrics V3 Philips Lighting B.V. Page 11

12-120W E26 PAR30S 25D 840 4000K

Lifetime



12-120W E26 PAR30S

12-120W E26 PAR30S

