



MASTER LEDspot LV AR111

MAS LED SpotLV 20-100W 927 AR111 24D

Delivering a warm, halogen-like accent beam, MASTER LEDspot LV AR111 is an ideal retrofit solution for spot and general lighting applications in the hospitality and retail industry. It is particularly suitable for general lighting where the light is on all the time, such as creative accent lighting applications in shops, restaurants, hotels, and especially for galleries, exhibitions and museums. The robustly designed MASTER LEDspot LV AR111 offers various beam angles for a clearly defined beam spread. There is no UV or IR in the beam, making it suitable for illuminating heat-sensitive objects (food, organic materials, paintings, etc.). The patented intelligent driver enables broad compatibility with existing electromagnetic and electronic halogen transformers. MASTER LEDspot LV AR111 delivers huge energy savings and minimises maintenance cost without any reduction in brightness.

Product data

General Information	
Cap-Base	G53 [G53]
Nominal lifetime	25,000 hour(s)
Switching Cycle	50,000
Lighting Technology	LED
EU RoHS compliant	Yes
Light Technical	
Color Code	927
Beam Angle (Nom)	24 degree(s)
Luminous Flux	1,200 lumen
Luminous Intensity (Nom)	4,000 cd
Color Designation	Warm White (WW)
Correlated Color Temperature (Nom)	2700 K

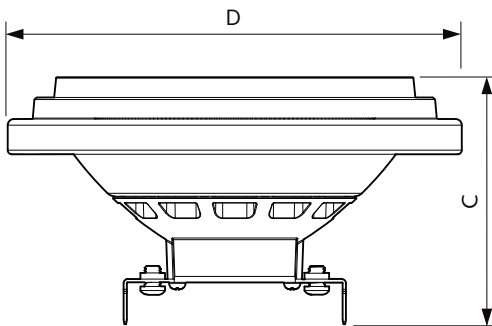
Luminous Efficacy (rated) (Nom)	60.00 lm/W
Color Consistency	<4
Color rendering index (CRI)	91
LLMF At End Of Nominal Lifetime (Nom)	70 %
Operating and Electrical	
Line Frequency	- Hz
Input Frequency	- Hz
Power Consumption	20 W
Lamp Current (Nom)	2,400 mA
Wattage Equivalent	100 W
Starting Time (Nom)	0.5 s
Warm-up time to 60% light	0.5 s
Power Factor (Fraction)	0.7

MASTER LEDspot LV AR111

Voltage (Nom)	ac electronic 12 V
Temperature	
Ambient temperature range	-20 °C to 45 °C
T-Case Maximum (Nom)	80 °C
Controls and Dimming	
Dimmable	Yes
Mechanical and Housing	
Bulb Shape	AR111
Approval and Application	
Suitable For Accent Lighting	Yes

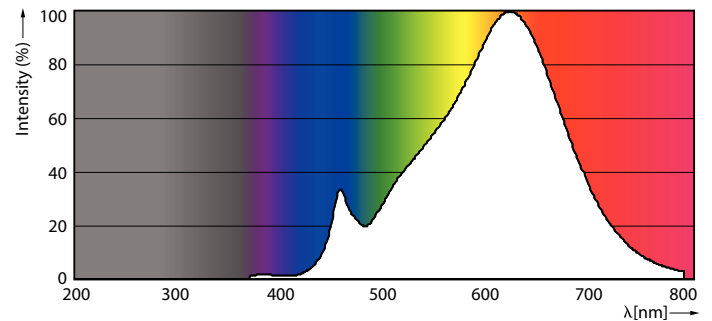
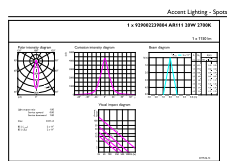
Energy Consumption kWh/1000 h	22 kWh
Product Data	
Full product code	871869969071700
Order product name	MAS LED SpotLV 20-100W 927 AR111 24D
Order code	929002239808
Numerator - Quantity Per Pack	1
Numerator - Packs per outer box	6
Material Nr. (12NC)	929002239808
Full product name	MAS LED SpotLV 20-100W 927 AR111 24D
EAN/UPC - Case	8718699690724
EAN/UPC - Product/Case	8718699690717

Dimensional drawing



Product	D	C
MAS LED SpotLV 20-100W 927 AR111 24D	111 mm	62 mm

Photometric data

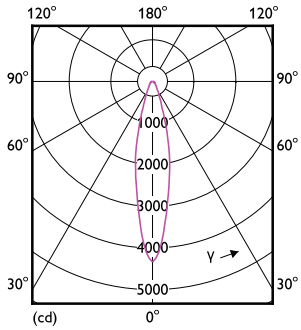


Accent Lighting Spots - MAS LED SpotLV 20-100W 927 AR111 24D

Spectral Power Distribution Colour - MAS LED SpotLV 20-100W 927 AR111 24D

MASTER LEDspot LV AR111

Photometric data



Light Distribution Diagram - MAS LED SpotLV 20-100W 927 AR111 24D

Lifetime



Life Expectancy Diagram - MAS LED SpotLV 20-100W 927 AR111 24D



Lumen Maintenance Diagram - MAS LED SpotLV 20-100W 927 AR111 24D

