



MASTER LEDspot PAR – The energy-saving alternative for lighting in public areas

MASTER LEDspot PAR

With its robust design and warm-white beam of light, these new-generation PAR lamps are ideal for general lighting and spot lighting in the hospitality industry. There is a choice of dimmable and non-dimmable versions. They are especially suitable for public areas such as lobbies, corridors, stairwells, where the light is always on. Compatible with existing fixtures with an E27 holder and designed for retrofit replacement of halogen/incandescent lamps, MASTER LEDspot PAR deliver huge energy savings and minimize maintenance cost without any reduction in brightness. The IP44-rated outdoor version of the PAR 38 lamp is one of the few energy-saving alternatives to incandescent PAR38 outdoor lamps available today. The dimmable PAR 20 is a perfect replacement for an incandescent spot.

Benefits

- Up to 80% energy saving compared to halogen lamps
- Retrofittable and compatible with existing fixtures with E27 holder
- Lower maintenance costs

Features

- Lifetime of 45,000 hours
- Dimmable
- UV- and IR-free light for less heat and protection for heat-sensitive objects
- Free of mercury and hazardous materials

MASTER LEDspot PAR

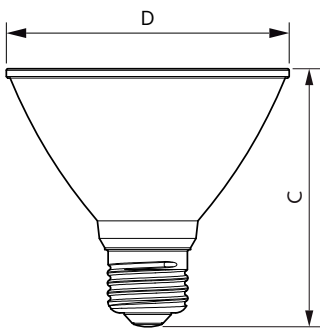
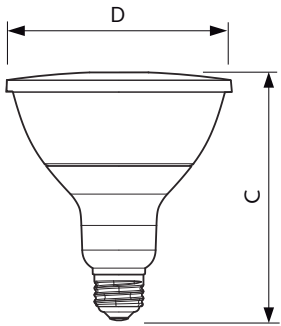
Application

- Especially suitable for public areas like lobbies, corridors, stairwells and restaurants/bars

Versions



Dimensional drawing



Product	D	C
MAS LEDspot D 13-100W E27 927 PAR38 25D	122 mm	134 mm

Product	D	C
Master LED 12-120W PAR30s 840 25D EER1	86 mm	93 mm
Master LED 12-120W PAR30s 827 25D EER1	86 mm	93 mm
Master LED 12-120W PAR30s 865 25D EER1	86 mm	93 mm

MASTER LEDspot PAR

Approval and Application

Energy Efficiency Label (EEL) A+

Operating and Electrical

Input Frequency 50 to 60 Hz

Light Technical

Beam Angle (Nom) 25 °

Llmf At End Of Nominal Lifetime (Nom) 70 %

Approval and Application

Order Code	Full Product Name	Energy Consumption kWh/ 1000 h
929001322508	MAS LEDspot D 13-100W E27 927 PAR38 25D	13 kWh
929001918808	Master LED 12-120W PAR30s 827 25D EER1	12 kWh

Order Code	Full Product Name	Energy Consumption kWh/ 1000 h
929001918908	Master LED 12-120W PAR30s 840 25D EER1	12 kWh
929001919108	Master LED 12-120W PAR30s 865 25D EER1	12 kWh

Controls and Dimming

Order Code	Full Product Name	Dimmable
929001322508	MAS LEDspot D 13-100W E27 927 PAR38 25D	Yes
929001918808	Master LED 12-120W PAR30s 827 25D EER1	No

Order Code	Full Product Name	Dimmable
929001918908	Master LED 12-120W PAR30s 840 25D EER1	No
929001919108	Master LED 12-120W PAR30s 865 25D EER1	No

Operating and Electrical

Order Code	Full Product Name	Voltage (Nom)	Wattage Equivalent	Power (Rated) (Nom)	Starting Time (Nom)
929001322508	MAS LEDspot D 13-100W E27 927 PAR38 25D	220-240 V	100 W	13 W	0.5 s
929001918808	Master LED 12-120W PAR30s 827 25D EER1	220 V	120 W	12 W	0.8 s

Order Code	Full Product Name	Voltage (Nom)	Wattage Equivalent	Power (Rated) (Nom)	Starting Time (Nom)
929001918908	Master LED 12-120W PAR30s 840 25D EER1	220 V	120 W	12 W	0.8 s
929001919108	Master LED 12-120W PAR30s 865 25D EER1	220 V	120 W	12 W	0.8 s

General Information

Order Code	Full Product Name	Cap-Base	Nominal Lifetime (Nom)	Switching Cycle
929001322508	MAS LEDspot D 13-100W E27 927 PAR38 25D	E27	25000 h	25,000X
929001918808	Master LED 12-120W PAR30s 827 25D EER1	E26	15000 h	50,000X

Order Code	Full Product Name	Cap-Base	Nominal Lifetime (Nom)	Switching Cycle
929001918908	Master LED 12-120W PAR30s 840 25D EER1	E26	15000 h	50,000X
929001919108	Master LED 12-120W PAR30s 865 25D EER1	E26	15000 h	50,000X

Light Technical

MASTER LEDspot PAR

Order Code	Full Product Name	Colour Code	Correlated Colour		Colour Rendering		Luminous Intensity	
			Temperature (Nom)	Temperature (Nom)	Index (Nom)	Luminous Flux (Nom)	(Nom)	
929001322508	MAS LEDspot D 13-100W E27 927 PAR38 25D	927	2700 K		90	1000 lm		4000 cd
929001918808	Master LED 12-120W PAR30s 827 25D EER1	827	2700 K		80	1300 lm		3200 cd
929001918908	Master LED 12-120W PAR30s 840 25D EER1	840	4000 K		80	1300 lm		3200 cd
929001919108	Master LED 12-120W PAR30s 865 25D EER1	865	6500 K		80	1300 lm		3200 cd

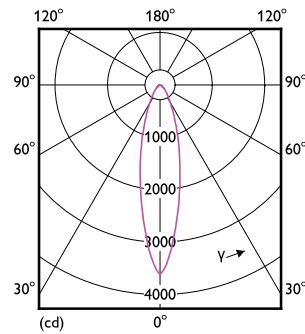
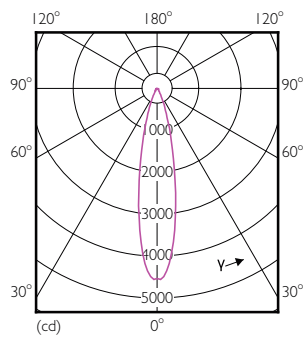
Mechanical and Housing

Order Code	Full Product Name	Bulb Shape
929001322508	MAS LEDspot D 13-100W E27 927 PAR38 25D	PAR38
929001918808	Master LED 12-120W PAR30s 827 25D EER1	PAR30S

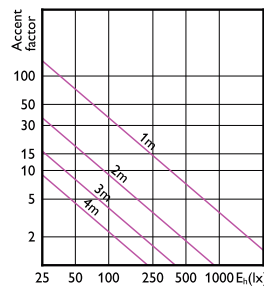
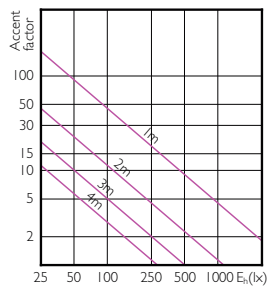
Order Code	Full Product Name	Bulb Shape
929001918908	Master LED 12-120W PAR30s 840 25D EER1	PAR30S
929001919108	Master LED 12-120W PAR30s 865 25D EER1	PAR30S

Temperature

Order Code	Full Product Name	T-Case Maximum (Nom)
929001322508	MAS LEDspot D 13-100W E27 927 PAR38 25D	80 °C
929001918808	Master LED 12-120W PAR30s 827 25D EER1	90 °C
929001918908	Master LED 12-120W PAR30s 840 25D EER1	90 °C
929001919108	Master LED 12-120W PAR30s 865 25D EER1	90 °C



Accent Diagrams

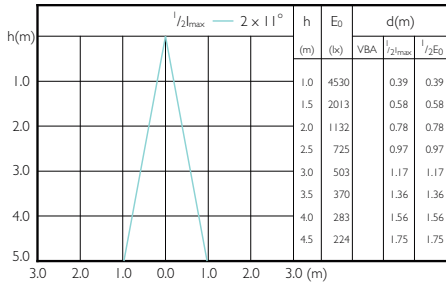


MASTER LEDspot PAR 100W E27 827 25D

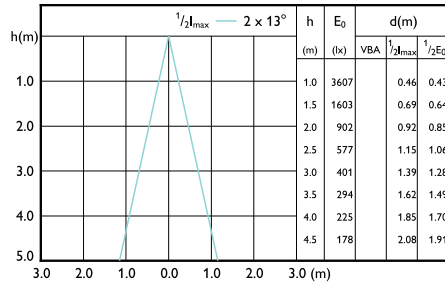
12-120W E26 PAR30S 25D 827 2700K

MASTER LEDspot PAR

Beam Diagrams



MASTER LEDspot PAR 100W E27 827 25D



12-120W E26 PAR30S 25D 827 2700K

