



The LEDlamps are ideal for general lighting applications

CorePro LEDbulbs

Delivering a warm, halogen-like accent beam, LEDspots are a perfect fit for spot lighting and have a broad compatibility with transformers. LEDspots are compatible with most existing fixtures with a GU10 / MR16 GU5.3 / E14 holder and are designed as a retrofit replacement for halogen or incandescent spots. LEDbulbs are compatible with existing fixtures with an E27 holder and are designed for retrofit replacement of incandescent bulbs. LEDcandle and LEDluster are compatible with existing fixtures with an E27/E14 holder and are designed for retrofit replacement of incandescent lamps. LEDlamps deliver huge energy savings and minimize maintenance cost

Benefits

- Up to 80% energy saving compared with halogen lamps
- Retrofittable
- Lower maintenance costs

Features

- Non dimmable
- Warm white light
- Lifetime of 15,000 hours
- UV- and IR-free light for less heat and protection for heat-sensitive objects

Application

- Hotels, restaurants, bars, cafés
- Lobbies, corridors, stairwells, washrooms, reception areas

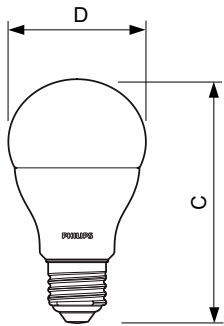
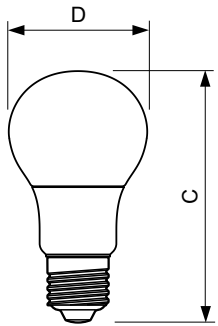
CorePro LEDbulbs

Versions



E27

Dimensional drawing



D

Product	D	C
CorePro LEDbulb ND 7.5-60W A60 E27 840	60 mm	110 mm

Product	D	C
CorePro LEDbulb ND 13-100W A60 E27 827	60 mm	110 mm

Product	D	C
CorePro LEDbulb ND 12.5-100W A60 E27 865	60 mm	110 mm

CorePro LEDbulbs

Approval and Application

Energy Efficiency Label (EEL) A+

Controls and Dimming

Dimmable No

Operating and Electrical

Input Frequency 50 to 60 Hz

Voltage (Nom) 220-240 V

Starting Time (Nom) 0.5 s

General Information

Cap-Base E27

Nominal Lifetime (Nom) 15000 h

Switching Cycle 50,000X

Light Technical

Beam Angle (Nom) 200 °

Colour Rendering Index (Nom) 80

Llmf At End Of Nominal Lifetime (Nom) 70 %

Mechanical and Housing

Bulb Finish Frosted

Bulb Shape A60

Temperature

T-Case Maximum (Nom) 85 °C

Approval and Application

Order Code	Full Product Name	Energy Consumption kWh/1000 h
929001234502	CorePro LEDbulb ND 13-100W A60 E27 827	13 kWh
929001312502	CorePro LEDbulb ND 12.5-100W A60 E27 865	13 kWh
929001234702	CorePro LEDbulb ND 7.5-60W A60 E27 840	8 kWh

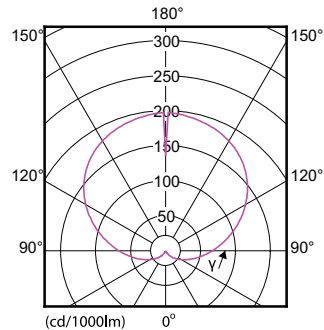
Operating and Electrical

Order Code	Full Product Name	Wattage Equivalent	Power (Rated) (Nom)
929001234502	CorePro LEDbulb ND 13-100W A60 E27 827	100 W	13 W
929001312502	CorePro LEDbulb ND 12.5-100W A60 E27 865	100 W	12.5 W

Order Code	Full Product Name	Wattage Equivalent	Power (Rated) (Nom)
929001234702	CorePro LEDbulb ND 7.5-60W A60 E27 840	60 W	7.5 W

Light Technical

Order Code	Full Product Name	Colour Code	Correlated Colour	
			Temperature (Nom)	Luminous Flux (Nom)
929001234502	CorePro LEDbulb ND 13-100W A60 E27 827	827	2700 K	1521 lm
929001312502	CorePro LEDbulb ND 12.5-100W A60 E27 865	865	6500 K	1521 lm
929001234702	CorePro LEDbulb ND 7.5-60W A60 E27 840	840	4000 K	806 lm



CorePro LEDbulbs

