



Strong performance spotlight for retrofit MR16 halogen spots

MASTER LEDspot LV

Delivering an intense accent beam, the MASTER LEDspot LV is an ideal retrofit solution for spot-lighting. The MASTER LEDspot LV is designed to replace halogen or incandescent spots. It achieves natural colours, enables cosy and comfortable ambience for residential and hospitality usage, and emphasises the beauty of merchandise in retail. A new smaller housing provides perfect fitting with the majority of luminaires on the market with a MR16 GU 5.3 holder. It not only employs Philips's patented solution to guarantee the broadest possible compatibility with standard 12 V halogen electronic transformers, it also delivers high beam intensity which is equivalent to halogen MR16 spots. The dimming function enables users to create the desired atmosphere and it works with broad selection of dimmers. Its high SDCM ensures stricter colour consistency, that is maintained over product life. The MASTER LEDspot LV delivers huge energy savings and minimises maintenance costs without any compromise on light quality and lifetime, enabling residential and business owners to achieve a return on their investment within a short time period.

Benefits

- High intensity of beam for accent lighting in professional applications
- Strong brightness maintained over time
- More natural colours realised for cosy ambience for hospitality and better merchandise display in retail applications

MASTER LEDspot LV

Features

- High intensity of beam is equivalent to halogen spots
- Better colour realisation with high CRI value, and strong colour consistency over time
- Clearly defined beam spread for accent lighting
- Compatible with an extensive range of transformers and smooth dimming for dimmable products
- High lumen maintenance with long lifetime up to 40,000 hours

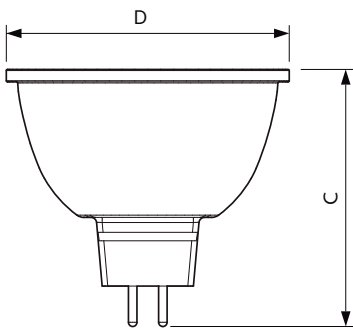
Application

- Home: Living room, bed room, hallway
- Hospitality: hotel guest rooms, corridors, lobbies, reception areas, restaurants, bars, cafes
- Retail: exhibitions, display cabinets, shops, dressing room, check-out areas

Versions



Dimensional drawing



Product	D	C
MASTER LED 7-50W 940 MR16 36D Dim	50.5 mm	46.5 mm
MASTER LED 7-50W 930 MR16 36D Dim	50.5 mm	46.5 mm
MASTER LED 7-50W 927 MR16 36D Dim	50.5 mm	46.5 mm
MASTER LED 8-50W+ 827 MR16 36D Dim	50.5 mm	46.5 mm

MASTER LEDspot LV

Controls and Dimming

Dimmable	Yes
----------	-----

Operating and Electrical

Input Frequency	- Hz
Voltage (Nom)	12 V
Wattage Equivalent	50 W
Starting Time (Nom)	0.5 s

General Information

Cap-Base	GU5.3
Nominal Lifetime (Nom)	40000 h
Switching Cycle	50,000X

Light Technical

Beam Angle (Nom)	36 °
Llmf At End Of Nominal Lifetime (Nom)	70 %

Mechanical and Housing

Bulb Shape	MR16
------------	------

Approval and Application

Order Code	Full Product Name	Energy Consumption kWh/ 1000 h	Energy Efficiency Label (EEL)
929001880108	MASTER LED 7-50W 927 MR16 36D Dim	8 kWh	A
929001880208	MASTER LED 7-50W 930 MR16 36D Dim	8 kWh	A
929001880308	MASTER LED 7-50W 940 MR16 36D Dim	8 kWh	A
929001881608	MASTER LED 8-50W+ 827 MR16 36D Dim	9 kWh	A+

Operating and Electrical

Order Code	Full Product Name	Power (Rated) (Nom)
929001880108	MASTER LED 7-50W 927 MR16 36D Dim	7 W
929001880208	MASTER LED 7-50W 930 MR16 36D Dim	7 W

Order Code	Full Product Name	Power (Rated) (Nom)
929001880308	MASTER LED 7-50W 940 MR16 36D Dim	7 W
929001881608	MASTER LED 8-50W+ 827 MR16 36D Dim	8 W

Light Technical (1/2)

Order Code	Full Product Name	Colour Code	Correlated	Colour	Luminous Flux (Nom)
			Temperature (Nom)	Rendering Index (Nom)	
929001880108	MASTER LED 7-50W 927 MR16 36D Dim	927	2700 K	90	500 lm
929001880208	MASTER LED 7-50W 930 MR16 36D Dim	930	3000 K	90	500 lm

Order Code	Full Product Name	Colour Code	Correlated	Colour	Luminous Flux (Nom)
			Temperature (Nom)	Rendering Index (Nom)	
929001880308	MASTER LED 7-50W 940 MR16 36D Dim	940	4000 K	90	530 lm
929001881608	MASTER LED 8-50W+ 827 MR16 36D Dim	827	2700 K	80	660 lm

Light Technical (2/2)

Order Code	Full Product Name	Luminous Intensity (Nom)
929001880108	MASTER LED 7-50W 927 MR16 36D Dim	1400 cd
929001880208	MASTER LED 7-50W 930 MR16 36D Dim	1400 cd

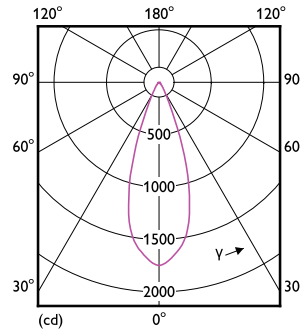
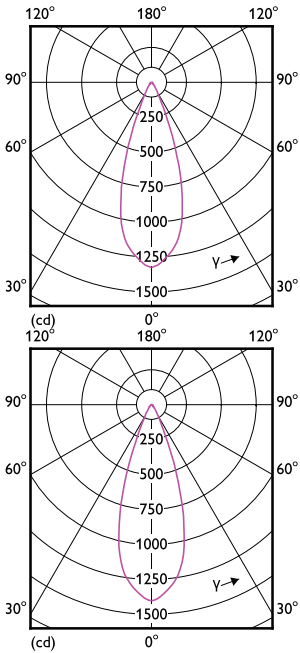
Order Code	Full Product Name	Luminous Intensity (Nom)
929001880308	MASTER LED 7-50W 940 MR16 36D Dim	1500 cd
929001881608	MASTER LED 8-50W+ 827 MR16 36D Dim	1700 cd

Temperature

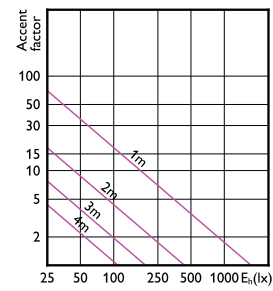
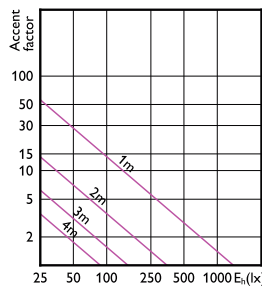
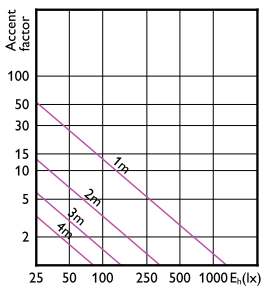
Order Code	Full Product Name	T-Case Maximum (Nom)
929001880108	MASTER LED 7-50W 927 MR16 36D Dim	90 °C
929001880208	MASTER LED 7-50W 930 MR16 36D Dim	90 °C

Order Code	Full Product Name	T-Case Maximum (Nom)
929001880308	MASTER LED 7-50W 940 MR16 36D Dim	90 °C
929001881608	MASTER LED 8-50W+ 827 MR16 36D Dim	100 °C

MASTER LEDspot LV



Accent Diagrams

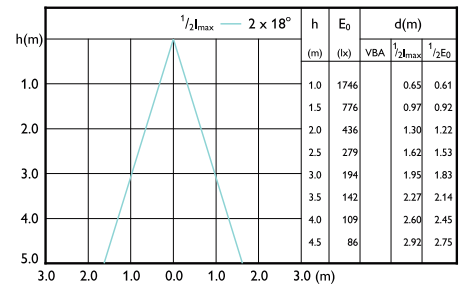
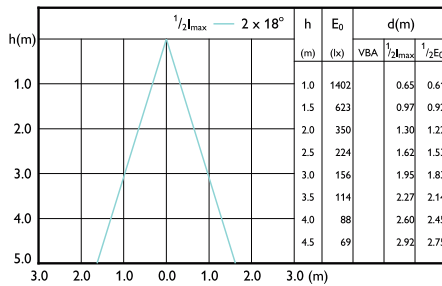
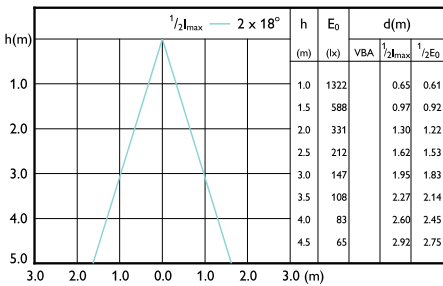


7-50W GU5-3 MR16 36D 927 2700K

7-50W GU5-3 MR16 36D 940 4000K

8-50W GU5-3 MR16 36D 827 2700K

Beam Diagrams



7-50W GU5-3 MR16 36D 927 2700K

7-50W GU5-3 MR16 36D 940 4000K

8-50W GU5-3 MR16 36D 827 2700K

MASTER LEDspot LV

