



# GreenSpace G5

## DN392B LED16/840 PSU D150 WH GM

High-gloss high reflectance - Transparent bowl with white cover  
- 80°

GreenSpace Gen5 is a new LED downlight range combining light efficiency and comfort with product diversity and system compatibility

### Product data

General Information	
Beam angle of light source	85 °
Lamp colour code	840 neutral white
Light source replaceable	No
Number of gear units	1 unit
Driver included	Yes
Optic type	C-H [ High-gloss high reflectance]
Optical cover/lens type	TW [ Transparent bowl with white cover]
Luminaire light beam spread	80°
Control interface	-
Connection	PI6 [ Push-in connector 6-pole]
Protection class IEC	Safety class I (I)
Glow-wire test	650/30 [ Temperature 650 °C., duration 30 s]
Flammability mark	F [ For mounting on normally flammable surfaces]
CE mark	CE mark
Warranty period	3 years
Constant light output	No
Number of products on MCB (16 A type B)	48
Light source engine type	LED

Operating and Electrical	
Input Voltage	220-240 V
Input frequency	50 or 60 Hz
Inrush current	2.2 A
Inrush time	0.045 ms
Power factor (min.)	0.95
Controls and Dimming	
Dimmable	No
Mechanical and Housing	
Housing material	Aluminum die-cast
Reflector material	Polycarbonate
Optic material	Polycarbonate
Optical cover/lens material	Polycarbonate
Optical cover/lens finish	Matte
Overall length	0 mm
Overall width	0 mm
Overall height	100 mm
Overall diameter	162 mm

## GreenSpace G5

Colour	Black and White
--------	-----------------

### Approval and Application

Ingress protection code	IP20 [ Finger-protected]
Mech. impact protection code	IK02 [ 0.2 J standard]

### Initial Performance (IEC Compliant)

Initial luminous flux	1600 lm
Luminous flux tolerance	+/-10%
Initial LED luminaire efficacy	110 lm/W
Lamp colour temperature	4000 K
Colour Rendering Index	>80
Initial chromaticity	(0.38,0.38) SDCM<5
Initial input power	14.5 W
Power consumption tolerance	+/-10%

### Over Time Performance (IEC Compliant)

Median useful life L70B50	50000 h
---------------------------	---------

Median useful life L80B50	43000 h
Median useful life L90B50	20000 h

### Application Conditions

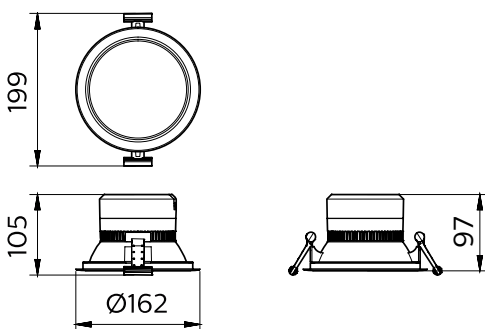
Ambient temperature range	-20 to +40 °C
Maximum dimming level	Not applicable

### Product Data

Full product code	911401579041
Order product name	DN392B LED16/840 PSU D150 WH GM
Order code	911401579041
SAP numerator – quantity per pack	1
Numerator – packs per outer box	1
SAP material	911401579041
SAP net weight (piece)	0.320 kg



## Dimensional drawing



DN39XN GreenSpace G5

