



Dynalite Leading Edge Dimmers

DDLE802

8 channel Leading Edge Dimmer Controller at 2 A per channel

The Philips Dynalite DDLE802 is an eight channel leading edge dimmer controller with a maximum load per channel of 2 A. - It is suitable for use with incandescent, low voltage, neon and selected fluorescent fixtures. - Optional manual override LED illuminated service switch Soft start and voltage regulation technologies Naturally ventilated Flexible mounting solution

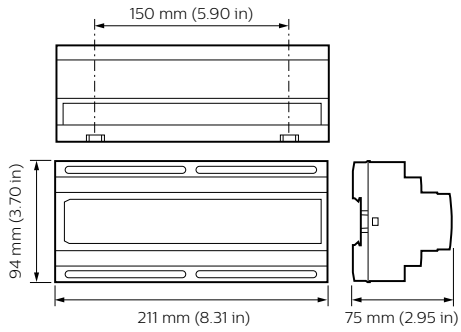
Product data

| General Information | |
|---------------------------|---|
| CE mark | CE mark |
| Remarks | Please download the Lighting - Product Data Sheet for more information and ordering options |
| EU RoHS compliant | Yes |
| Application Conditions | |
| Ambient temperature range | 0 to +40 °C |
| Product Data | |
| Full product code | 871016350500800 |

| | |
|-------------------------------------|---------------|
| Order product name | DDLE802 |
| EAN/UPC – product | 8710163505008 |
| Order code | 913703000009 |
| Numerator – quantity per pack | 1 |
| SAP numerator – packs per outer box | 1 |
| Material no. (12 NC) | 913703000009 |
| Net Weight (Piece) | 0.600 kg |

Dynalite Leading Edge Dimmers

Dimensional drawing



Dynalite Leading Edge Dimmers

