



Dynalite Leading Edge Dimmers

DLE1205

12 channel Leading Edge Dimmer Controller with a maximum load per channel of 5 A.

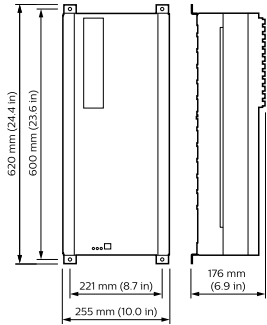
The Philips Dynalite DLE1205 is a 12 channel leading edge dimmer controller with a maximum load per channel of 5 A. - It is suitable for use with incandescent and neon light sources, as well as iron core and leading edge electronic transformers. - Fully rated device
Interference suppression
Naturally ventilated
Soft start and voltage regulation technologies
Diagnostic functionality
User controls
Options available

Product data

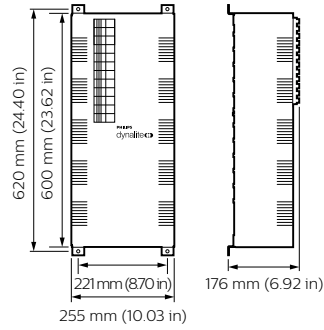
General Information		Order product name	
CE mark	CE mark	DLE1205	
Remarks	Please download the Lighting - Product Data Sheet for more information and ordering options	EAN/UPC – product	8710163505428
EU RoHS compliant	Yes	Order code	913703010009
		Numerator – quantity per pack	1
		SAP numerator – packs per outer box	1
		Material no. (12 NC)	913703010009
		Net Weight (Piece)	13.200 kg
Application Conditions			
Ambient temperature range	0 to +40 °C		
Product Data			
Full product code	871016350542800		

Dynalite Leading Edge Dimmers

Dimensional drawing



Dynalite Leading Edge Dimmers



Dynalite Leading Edge Dimmers

