



# MASTERCcolour CDM-T

## MASTERCcolour CDM-T 35W/842 G12 1CT/12

Range of single-ended, compact, high-efficiency, discharge lamps with a stable colour over lifetime and a crisp, sparkling light

### Warnings and Safety

- Use only in totally enclosed luminaire, even during testing (IEC61167, IEC 62035, IEC60598)
- The luminaire must be able to contain hot lamp parts if the lamp ruptures
- Control gear must include end-of-life protection (IEC61167, IEC 62035)
- Lamps may use electronic or electromagnetic control gear, except 35W/942 and 20W lamps, which must use electronic control gear.
- A lamp breaking is extremely unlikely to have any impact on your health. If a lamp breaks, ventilate the room for 30 minutes and remove the parts, preferably with gloves. Put them in a sealed plastic bag and take it to your local waste facilities for recycling. Do not use a vacuum cleaner.

### Product data

General Information	
Cap base	G12 [ G12]
Burning Position	UNIVERSAL [ Any/Universal]
Life to 5% failures (nom.)	9000 h
Life to 10% failures (nom.)	10000 h
Life to 20% failures (nom.)	11000 h
Life to 50% failures (nom.)	12000 h
ANSI code HID	-
Light Technical	
Colour Code	842 [ CCT of 4,200 K]
Lamp Luminous Flux (Nom)	3000 lm
Colour Designation	Cool White (CW)

Lumen maintenance 10,000 hours (nom.)	70 %
Lumen maintenance 2,000 hours (min.)	80 %
Lumen maintenance 2,000 hours (nom.)	90 %
Lumen maintenance 5,000 hours (min.)	75 %
Lumen maintenance 5,000 hours (nom.)	85 %
Chromaticity coordinate X (nom.)	0.370
Chromaticity coordinate Y (nom.)	0.367
Colour Temperature, horizontal (Nom)	4200 K
Lamp Luminous Efficacy EM (Nom)	77 lm/W
Colour Rendering Index,horiz (Nom)	84

Operating and Electrical	
Power (Rated) (Nom)	39.1 W

# MASTERCcolour CDM-T

Lamp current run-up (max.)	0.720 A
Ignition supply voltage (max.)	198 V
Ignition peak voltage (max.)	5000 V
Ignition supply voltage (min.)	198 V
Ignition peak voltage (min.)	3500 V
Re-ignition time (min.) (max.)	15 min
Ignition time (max.)	30 s
Voltage (Max)	93 V
Voltage (Min)	77 V
Voltage (Nom)	85 V

## Controls and Dimming

Dimmable	No
Run-up time 90% (max.)	3 min

## Mechanical and Housing

Lamp Finish	Clear
-------------	-------

## Approval and Application

Energy efficiency label (EEL)	A
Mercury (Hg) content (nom.)	2.7 mg
Energy consumption kWh/1,000 hours	43 kWh

## UV

PET (NIOSH) (min.)	8 h/500lx
Damage factor D/fc (max.)	0.5

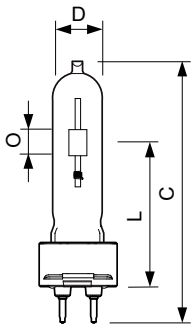
## Luminaire Design Requirements

Bulb temperature (max.)	500 °C
Cap-base temperature (max.)	280 °C
Pinch temperature (max.)	350 °C

## Product Data

Full product code	871869648445600
Order product name	MASTERCcolour CDM-T 35W/842 G12 1CT/12
EAN/UPC – product	8718696484456
Order code	928094305129
SAP numerator – quantity per pack	1
Numerator – packs per outer box	12
SAP material	928094305129
SAP net weight (piece)	28.000 g
ILCOS code	MT/UB-35/842-H-G12-20/90

## Dimensional drawing

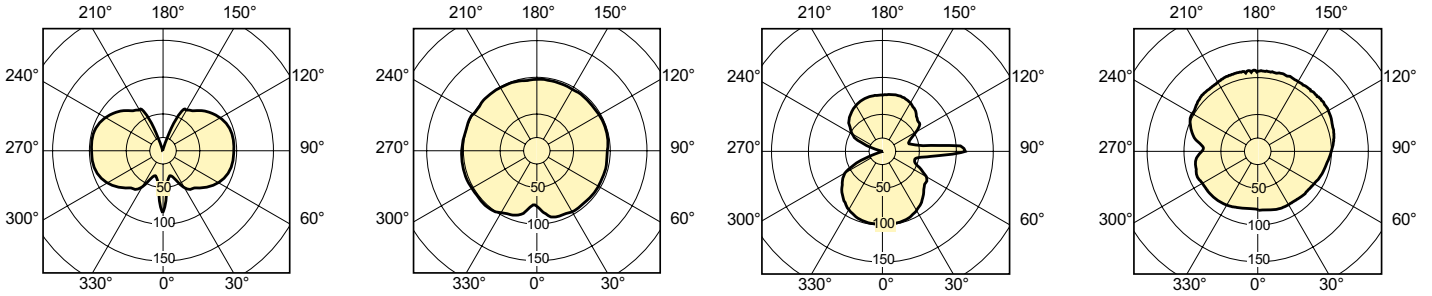


CDM-T 35W/842 G12

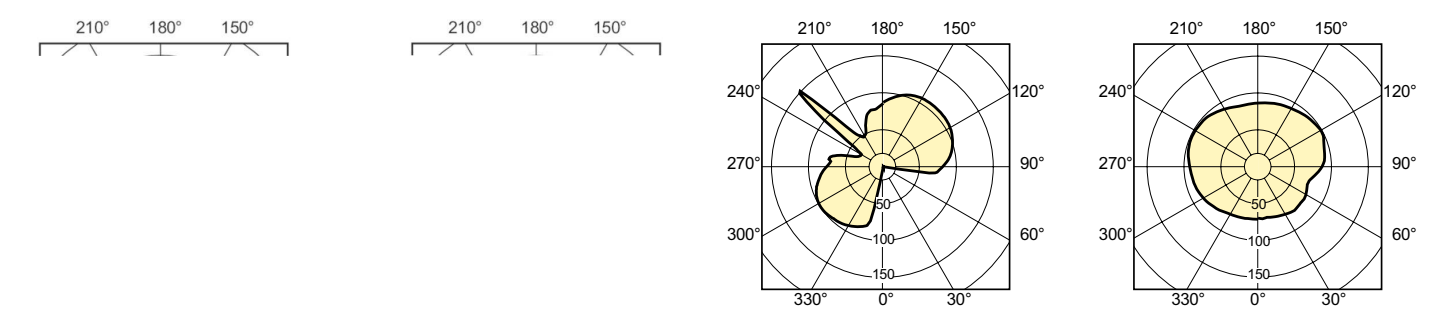
Product	D (max)	D	O	L (min)	L (max)	L	C (max)
MASTERCcolour CDM-T 35W/842 G12 1CT/12	20 mm	0.75 in	5 mm	55 mm	57 mm	56	103 mm
						mm	

# MASTERCoulour CDM-T

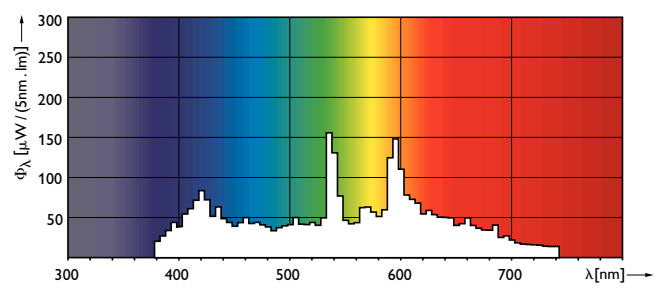
## Photometric data



LDLD\_CDM-T\_0001-Light distribution diagram      LDLD\_CDM-T\_0002-Light distribution diagram

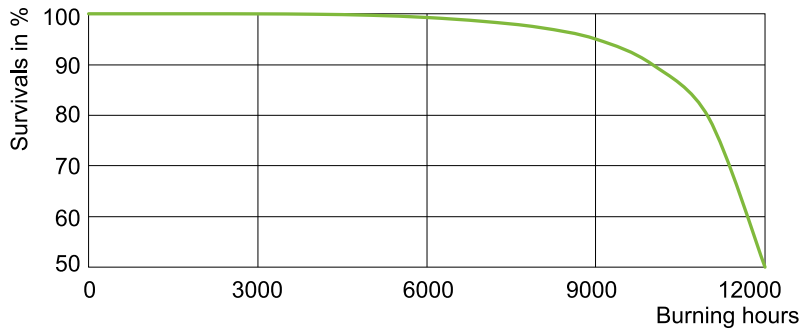


LDLD\_CDM-T\_0005-Light distribution diagram      LDPO\_CDM-T\_35W\_842-Spectral power distribution Colour



# MASTERCcolour CDM-T

## Lifetime



LDLE\_CDM-T\_0001-Life expectancy diagram

