



MASTERColour CDM-Rm Elite Mini

MASTERColour CDM-Rm Elite Mini 20W/830 GX10 MR16 25D

Mini, very high-efficiency Ceramic Metal Halide discharge reflector lamp producing crisp white sparkling light with high colour rendering

Warnings and Safety

- Use only with electronic control gear
- Control gear must include end-of-life protection (IEC61167, IEC 62035)

Product data

General Information		Lamp Luminous Flux (Nom)	
Cap base	GX10 [GX10]	Lamp Luminous Flux (Nom)	1000 lm
Burning Position	UNIVERSAL [Any/Universal]	Luminous intensity (min.)	3100 cd
Life to 5% failures (nom.)	9000 h	Luminous intensity (nom.)	4000 cd
Life to 10% failures (nom.)	10000 h	Beam description	-
Life to 20% failures (nom.)	12000 h	Lumen maintenance 12,000 hours (nom.)	75 %
Life to 50% failures (nom.)	15000 h	Lumen maintenance 2,000 hours (nom.)	90 %
ANSI code HID	C156/O	Lumen maintenance 4,000 hours (nom.)	85 %
Switching cycle	1350X	Chromaticity coordinate X (nom.)	0.439
		Chromaticity coordinate Y (nom.)	0.403
		Colour Temperature, horizontal (Nom)	3000 K
		Lamp Luminous Efficacy EM (Nom)	50 lm/W
		Colour Rendering Index,horiz (Min)	81
		Colour Rendering Index,horiz (Nom)	84
		LLMF at end of nominal lifetime (nom.)	70 %
		Luminous flux in 90° cone (rated)	900 lm
Light Technical			
Colour Code	830 [CCT of 3,000 K]		
Technical Beam Angle (Nom)	25°		
Beam angle technical (nom.)	22°		
Beam angle technical	27.5°		
Beam angle technical (min.)	16.5°		
Lamp Luminous Flux (Min)	900 lm		

MASTERColour CDM-Rm Elite Mini

Operating and Electrical

Power (Rated) (Nom)	20.1 W
Re-ignition time (min.) (max.)	15 min
Warm-up time to 60% light (nom.)	120 s
Ignition time (max.)	30 s
Voltage (Max)	100 V
Voltage (Min)	90 V
Voltage (Nom)	95 V

Controls and Dimming

Dimmable	No
Run-up time 90% (max.)	3 min

Approval and Application

Energy efficiency label (EEL)	A
Mercury (Hg) content (nom.)	3.5 mg
Energy consumption kWh/1,000 hours	22 kWh

UV

PET (NIOSH) (min.)	8 h/500lx
--------------------	-----------

Damage factor D/fc (max.)	0.4
---------------------------	-----

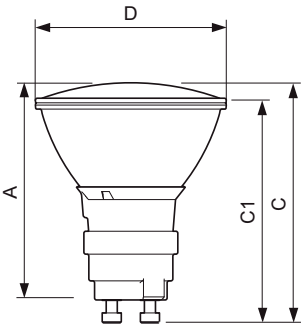
Luminaire Design Requirements

Reflector neck temperature (max.)	215 °C
-----------------------------------	--------

Product Data

Full product code	871829120301800
Order product name	MASTERColour CDM-Rm Elite Mini 20W/830 GX10 MR16 25D
EAN/UPC – product	8718291203018
Order code	928191105331
Numerator – quantity per pack	1
Numerator – packs per outer box	12
SAP material	928191105331
SAP net weight (piece)	0.047 kg
ILCOS code	MRS/UB-20/830-H-GX10-51/54.5/25

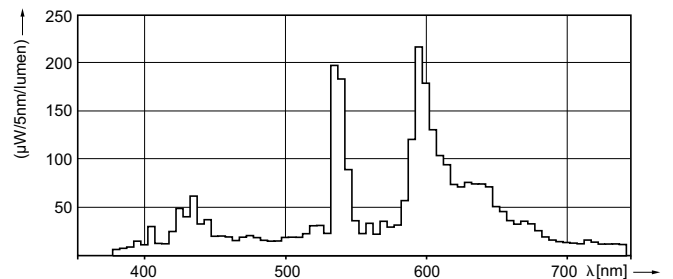
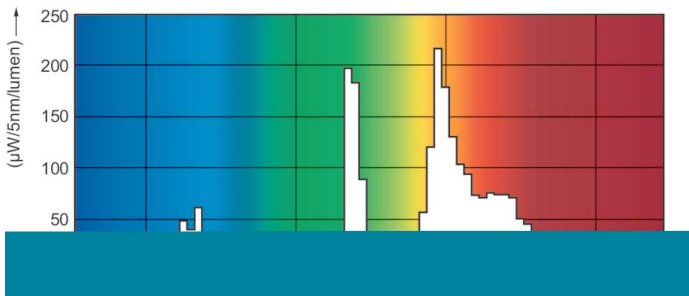
Dimensional drawing



CDM-Rm 20W/830 GX10 MR16 25D

Product	D (max)	D	C (max)	C	C1 (max)	A (max)
MASTERColour CDM-Rm Elite Mini 20W/830 GX10 MR16 25D	51 mm	50 mm	65.4 mm	62.75 mm	60.9 mm	59 mm

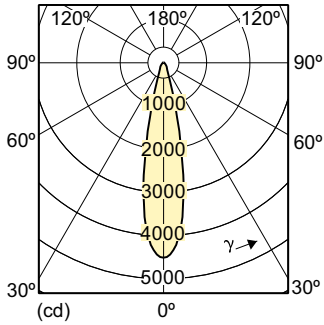
Photometric data



MASTERColour CDM-R Mini /830

MASTERCoulour CDM-Rm Elite Mini

Photometric data



LDLD_CDM-Rm_20W_25D_0003-Light distribution diagram

Lifetime

