



MASTERCcolour CDM-TC Elite

MASTERCcolour CDM-TC Elite 35W/942 G8.5 1CT

Single-ended, compact size, high-efficiency Ceramic Metal Halide discharge lamp

Warnings and Safety

- Use only in totally enclosed luminaire, even during testing (IEC61167, IEC 62035, IEC60598)
- The luminaire must be able to contain hot lamp parts if the lamp ruptures
- Use only with electronic control gear
- Control gear must include end-of-life protection (IEC61167, IEC 62035)
- A lamp breaking is extremely unlikely to have any impact on your health. If a lamp breaks, ventilate the room for 30 minutes and remove the parts, preferably with gloves. Put them in a sealed plastic bag and take it to your local waste facilities for recycling. Do not use a vacuum cleaner.

Product data

General Information			
Cap base	G8.5 [G8.5]	Lumen maintenance 10,000 hours (nom.)	73 %
Burning Position	UNIVERSAL [Any/Universal]	Lumen maintenance 2,000 hours (nom.)	84 %
Life to 5% failures (nom.)	9000 h	Lumen maintenance 5,000 hours (nom.)	79 %
Life to 10% failures (nom.)	10000 h	Chromaticity coordinate X (nom.)	0.371
Life to 20% failures (nom.)	12000 h	Chromaticity coordinate Y (nom.)	0.366
Life to 50% failures (nom.)	15000 h	Colour Temperature, horizontal (Nom)	4200 K
ANSI code HID	-	Lamp Luminous Efficacy EM (Nom)	97 lm/W
		Colour Rendering Index,horiz (Min)	87
		Colour Rendering Index,horiz (Nom)	90
Light Technical		Operating and Electrical	
Colour Code	942 [CCT of 4,200 K]	Power (Rated) (Nom)	39.1 W
Lamp Luminous Flux (Min)	3420 lm	Ignition supply voltage (min.)	198 V
Lamp Luminous Flux (Nom)	3800 lm	Re-ignition time (min.) (max.)	15 min
Colour Designation	Cool White (CW)	Ignition time (max.)	30 s
Lumen maintenance 12,000 hours (nom.)	71 %		

MASTERCcolour CDM-TC Elite

Voltage (Max)	97 V
Voltage (Min)	85 V
Voltage (Nom)	91 V

Controls and Dimming

Dimmable	No
Run-up time 90% (max.)	3 min

Mechanical and Housing

Lamp Finish	Clear
-------------	-------

Approval and Application

Energy efficiency label (EEL)	A+
Mercury (Hg) content (nom.)	4.9 mg
Energy consumption kWh/1,000 hours	43 kWh

UV

PET (NIOSH) (min.)	8 h/500lx
Damage factor D/fc (max.)	0.4

Luminaire Design Requirements

Bulb temperature (max.)	500 °C
Pinch temperature (max.)	300 °C

Product Data

Full product code	871829116366400
Order product name	MASTERCcolour CDM-TC Elite 35W/942 G8.5 1CT
EAN/UPC – product	8718291163664
Order code	928193805131
SAP numerator – quantity per pack	1
Numerator – packs per outer box	12
Material no. (12 NC)	928193805131
SAP net weight (piece)	0.009 kg
ILCOS code	MT/UB-35/942-H-G8.5-17/85

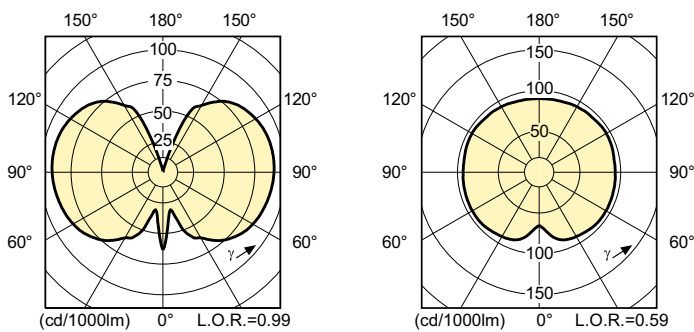
Dimensional drawing

D

Product	D (max)	O	L (min)	L (max)	L	C (max)
MASTERCcolour CDM-TC Elite 35W/942 G8.5 1CT	15 mm	5.2 mm	51 mm	53 mm	52 mm	85 mm

CDM-TC Elite 35W/942 G8.5

Photometric data



LDLD_CDMTC-E_0003-Light distribution diagram

MASTERCcolour CDM-TC Elite

Lifetime

